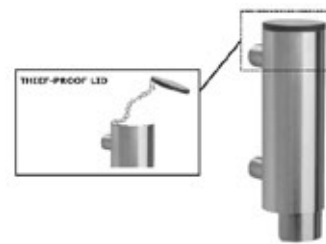


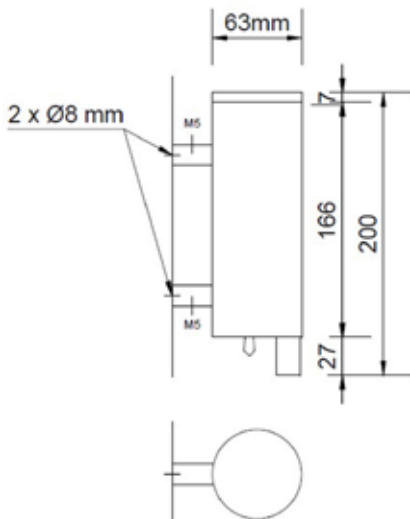


velo SOAP DISPENSER

- Soap dispenser with manual push button.
- Designed for wall mounting, leaving the anchor hidden.
- Safety cap against theft with key.
- Durability and ease of cleaning.



velo TECHNICAL DRAWING



DIMENSIONS IN mm

velo TECHNICAL DATA

- Made of AISI 304 stainless steel, satin finished.
- Dimensions: 200 mm height and Ø63 mm.
- Capacity: 300 ml.
- Hidden wall fixings. Distance between fasteners to wall: 110 mm.
- Maintenance: stainless steel needs maintenance because dust can eventually damage the chromium (Cr) content in stainless steel. We recommend monthly cleaning with a stainless steel special cleaner

SUGGESTED TEXT FOR PRESCRIPTION

VELO soap dispenser, made in AISI 304 stainless steel, manually operated, for wall mounting with hidden fixings. Dimensions: 200 mm height x Ø63 mm.

Related Products



03046.B



03008



03025.S



03022.S



03001.S



03061.S