



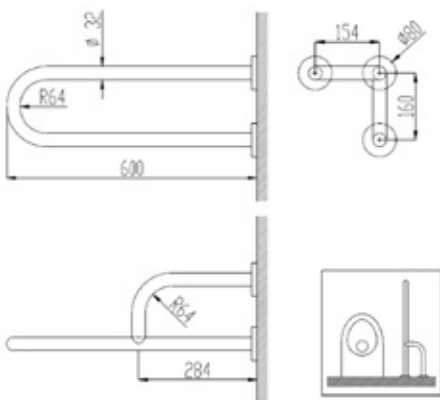
velo DOUBLE FIXED STRAIGHT GRAB BAR. LEFT POSITION

- Double fixed straight grab bar with three anchor points.
- Support suitable for bathrooms, wc-bidet, showers and baths.
- Designed for adapted toilets for disabled.
- Stainless steel satin finish. Also available white Nylon coated (VELO 5047.W) and polish finish (VELO 15047.B).
- Left position.

velo TECHNICAL DATA

- Made of AISI 304 stainless steel.
- Length: 600 mm.
- Bars: \varnothing 32 mm.
- Recommended installation height: 70-75 cm to floor.
- Fixing materials included.
- Maintenance: Stainless steel needs maintenance because dust can ventually damage the chrome in stainless steel. We recommend monthly eaning with our special product.

velo TECHNICAL DRAWING



Dimensions in mm

SUGGESTED TEXT FOR PRESCRIPTION

Double fixed straight grab bar VELO or similar, with three anchor points. Made of AISI 304 stainless steel. Length: 600 mm. Bars: \varnothing 32 mm.

Related Products

15062.S	15206.S	15064.S	15048.S	15051.60.S	15205.S