

velo 135° GRAB BAR

- 135 ° angle grab bar for fix on wall for technical aids.
- Stainless steel polish finish (also available in satin 15068.B and white Nylon finish 15068.W).
- Recommended for use in bathrooms, WC and showers.
- Designed for bathroom adapted for handicapped people.

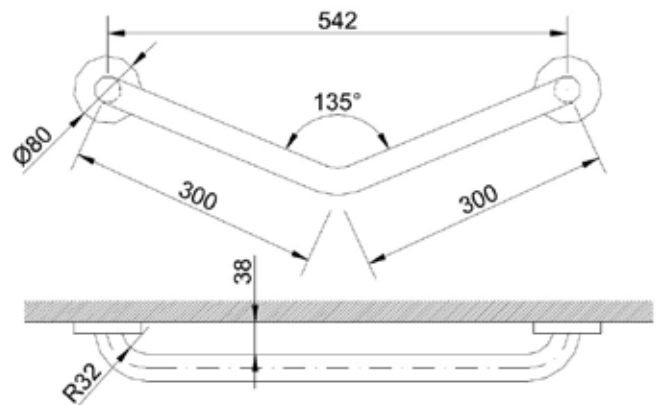
velo TECHNICAL DATA

- Manufactured in Stainless Steel AISI 304.
- Two fixing points.
- Length of each arm: 300 mm.
- Ø 32 mm tube grab, 1,5 mm thick. Rosette: Ø 80 mm.
- Fixing materials included.

SUGGESTED TEXT FOR PRESCRIPTION

Stainless Steel AISI 304 grab bar VELO or similar. Length of each arm 300 mm. Diameter tube Ø 32 mm .

velo TECHNICAL DRAWING



DIMENSIONS IN mm

Related Products

