



## velo TOILET PAPER HOLDER

- Toilet paper holder
- Durability and resistance against rust and corrosion .
- Suitable for public areas .
- Easy to clean .

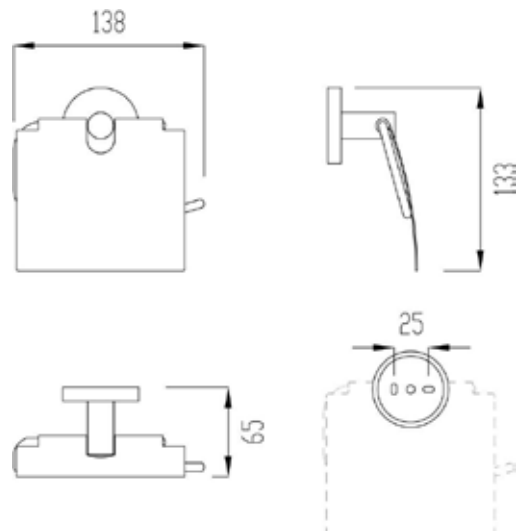
## velo TECHNICAL DATA

- Made of black finished AISI 304 stainless steel .
- Dimensions : 133 height x 138 width x 65 depth (mm).
- Concealed fixing .
- Equipped with fixing materials .
- Maintenance: stainless steel needs maintenance because dust can eventually damage the chrome in stainless steel. We recommend monthly cleaning with a stainless steel special product.

## SUGGESTED TEXT FOR PRESCRIPTION

VELO toilet paper holder , made of black finished AISI 304 stainless steel .  
Dimensions : 133 height x 138 width x 65 depth (mm).

## velo TECHNICAL DRAWING



DIMENSIONS IN mm

### Related Products

					
16850.N	16852.N	16851.N	16854.N	16855.N	16856.N